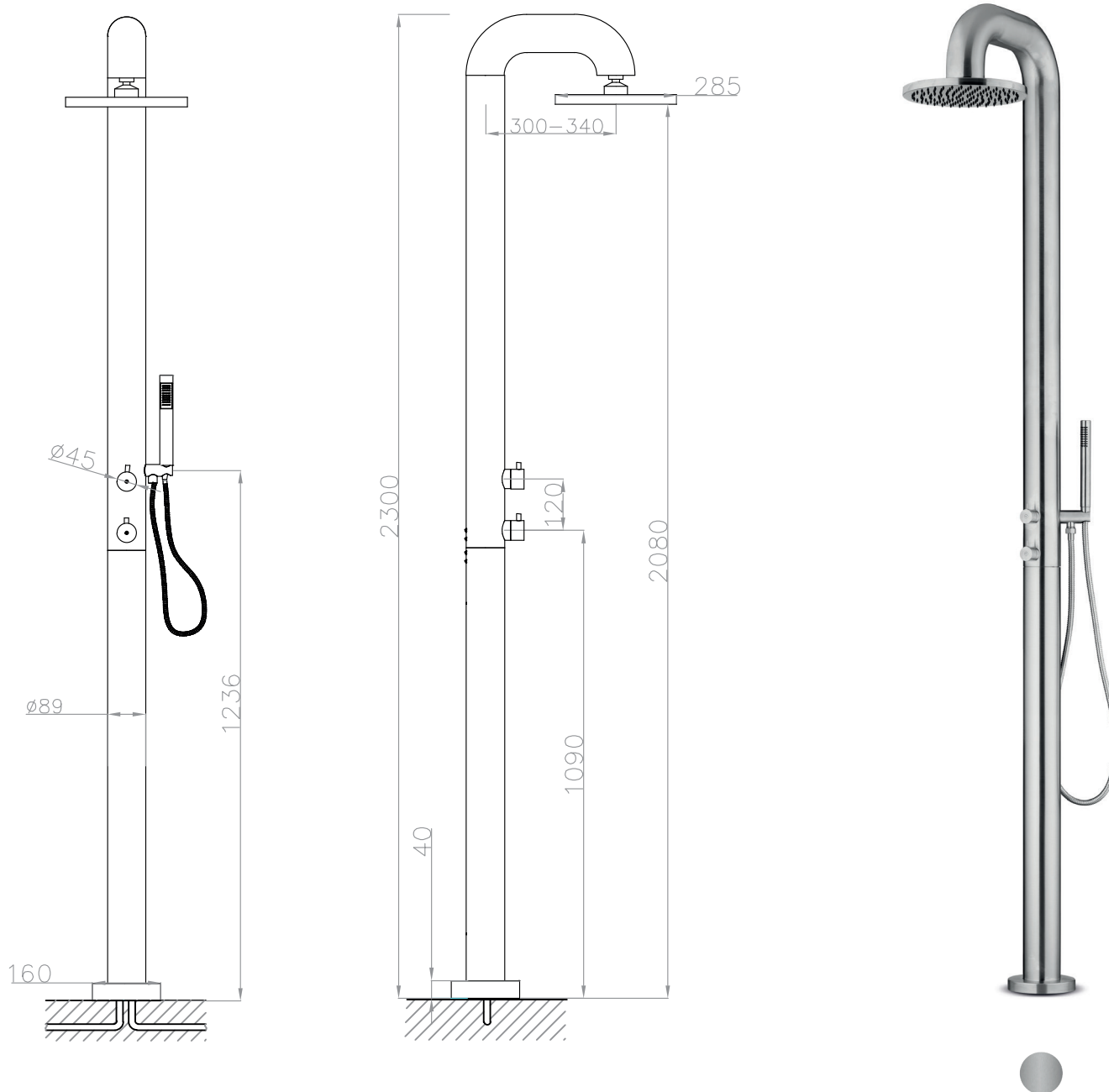




# JEE-O fatline shower O2TH



Article code:

200-6310

● Brushed

Material:

Stainless Steel r316

Cleaning instructions:

download JEE-O shower and taps manual on our website: [www.jee-o.com](http://www.jee-o.com)

Cartridges:

Sedal mixing mechanism (thermostatic) item code 005-0103 and JEE-O ceramic diverter mechanism, item code 005-0401 for models before January 2023 and item code 005-0411 for models from January 2023

Flow at water of 38°C / 100,4°F:

10L gal p/m at 3bar pressure

Flexhose:

150 cm length

Connection:

2 x G 1/2" ( $\varnothing 15\text{mm}$  / 0.6") nylon<sup>(out)</sup>/epdm<sup>(in)</sup> flexhose with brass swivel British Standard Pipe (BSP)

Thread:

Dimension package:

L 158 x W 18 W 54 x H 21 cm

Total weight:

18 kg

Package weight:

2.0 kg

Placing on a water-tight floor

7 year warranty - The general conditions can be found on our website: [www.jee-o.com/downloads](http://www.jee-o.com/downloads)

HS code:

84818011900

Approvals:



JEE-O fatline shower O2TH specifications | September 2023

Models are subject to change and specs may contain typographical errors

Slight variations in the aesthetic appearance of the product, including the color, may occur after exposure to external influences such as sunlight, pollution or harmful chemicals